



INSTRUCTIONS FOR:
**WORKSHOP STOOL PNEUMATIC with
 ADJUSTABLE HEIGHT SWIVEL SEAT &
 BACK REST**
 MODEL No: **SCR14.V2**

Thank you for purchasing a Sealey Product. Manufactured to a high standard this product will, if used according to these instructions and properly maintained, give you years of trouble-free performance.



IMPORTANT: PLEASE READ THESE INSTRUCTIONS CAREFULLY. NOTE THE SAFE OPERATIONAL REQUIREMENTS, WARNINGS AND CAUTIONS. USE THIS PRODUCT CORRECTLY AND WITH CARE FOR THE PURPOSE FOR WHICH IT IS INTENDED. FAILURE TO DO SO MAY CAUSE DAMAGE AND/OR PERSONAL INJURY AND WILL INVALIDATE THE WARRANTY. PLEASE KEEP INSTRUCTIONS SAFE FOR FUTURE USE.

1. SAFETY

1.1 GENERAL SAFETY

- WARNING!** Ensure Health & Safety, local authority, and general workshop practice regulations are adhered to when using this stool.
- ✓ Locate stool in a suitable working area.
- WARNING!** Use stool on level and solid ground, preferably concrete.
- ✓ Keep the stool clean and tidy in accordance with good workshop practice.
- ✗ **DO NOT** use the stool for any purpose other than that for which it is designed.
- ✗ **DO NOT** stand on the stool.
- ✗ **DO NOT** use the stool outdoors.
- ✗ **DO NOT** get the stool wet or use in damp or wet locations or areas where there is condensation.
- ✗ **DO NOT** clean the stool with any solvents which may damage the plated surface or the protective coating on the padded seat base.

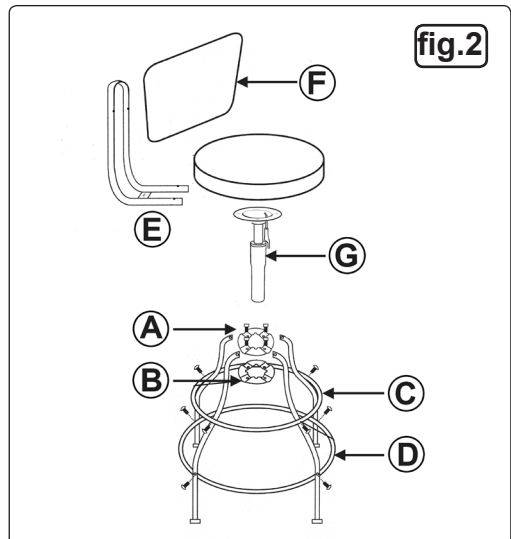
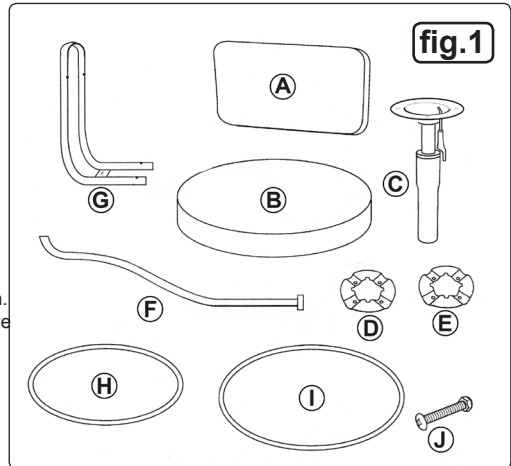
2. SPECIFICATIONS & CONTENTS

Four legged heavy-duty steel construction with a polished chrome plate finish for corrosion resistance. Two strengthening rings for stability, lower one also acts as a foot rest. Features pneumatic height adjustment, Ø350mm padded swivel seat and padded back rest for comfort and ease when turning to and from point of work.

Specifications: Seat Height: Range730 - 880mm
 Capacity: 136kg
 Weight: 8.5kg

Ref...Description

- A . . . Backrest
- B . . . Seat
- C . . . Pneumatic piston
- D . . . Hub Plate
- E . . . Hub Plate
- F . . . Leg
- G . . . Seat Frame
- H . . . Upper Ring
- I . . . Footrest Ring
- J . . . Fixings



3. ASSEMBLY

- 3.1. Take the four legs (fig.1.F) and sandwich the upper ends between the two hub plates (fig.2.A,fig.2.B). Secure with four bolts and nuts (fig.3)
- 3.2. Attach the upper ring (fig.1.H) with four bolts and nuts. See fig.2C.
- 3.3. Attach the lower footrest ring (fig.1.I) with four bolts and nuts, ensure the ring is attached on the inside of the frame. See fig.2D.
- 3.4. Attach the seat frame (fig.1.G) to the seat base (fig.1.B) with 3 bolts. See fig.3.
- 3.5. Attach the backrest (fig.1.A) to seat frame using 2 bolts.
- 3.6. Insert the larger end of the pneumatic cylinder into the centre hub, it is an interference fit so ensure it is pushed in with reasonable force. See fig.2G.
- 3.7. Take the seat assembly and push it onto the pneumatic cylinder.
- 3.8. Level the stool using the screw foot fitted to each leg.
- 3.9. Check that all fixings are tight.



Environmental Protection



Recycle unwanted materials instead of disposing of them as waste. All tools, accessories and packaging should be sorted, taken to a recycling centre and disposed of in a manner which is compatible with the environment. When the product becomes completely unserviceable, dispose of it according to local regulations.

NOTE: It is our policy to continually improve products and as such we reserve the right to alter data, specifications and component parts without prior notice.

IMPORTANT: No liability is accepted for incorrect use of this product.

WARRANTY: Guarantee is 12 months from purchase date, proof of which will be required for any claim.



Sole UK Distributor, Sealey Group,
 Kempson Way, Suffolk Business Park,
 Bury St. Edmunds, Suffolk,
 IP32 7AR

01284 757500
 01284 703534

www.sealey.co.uk
sales@sealey.co.uk