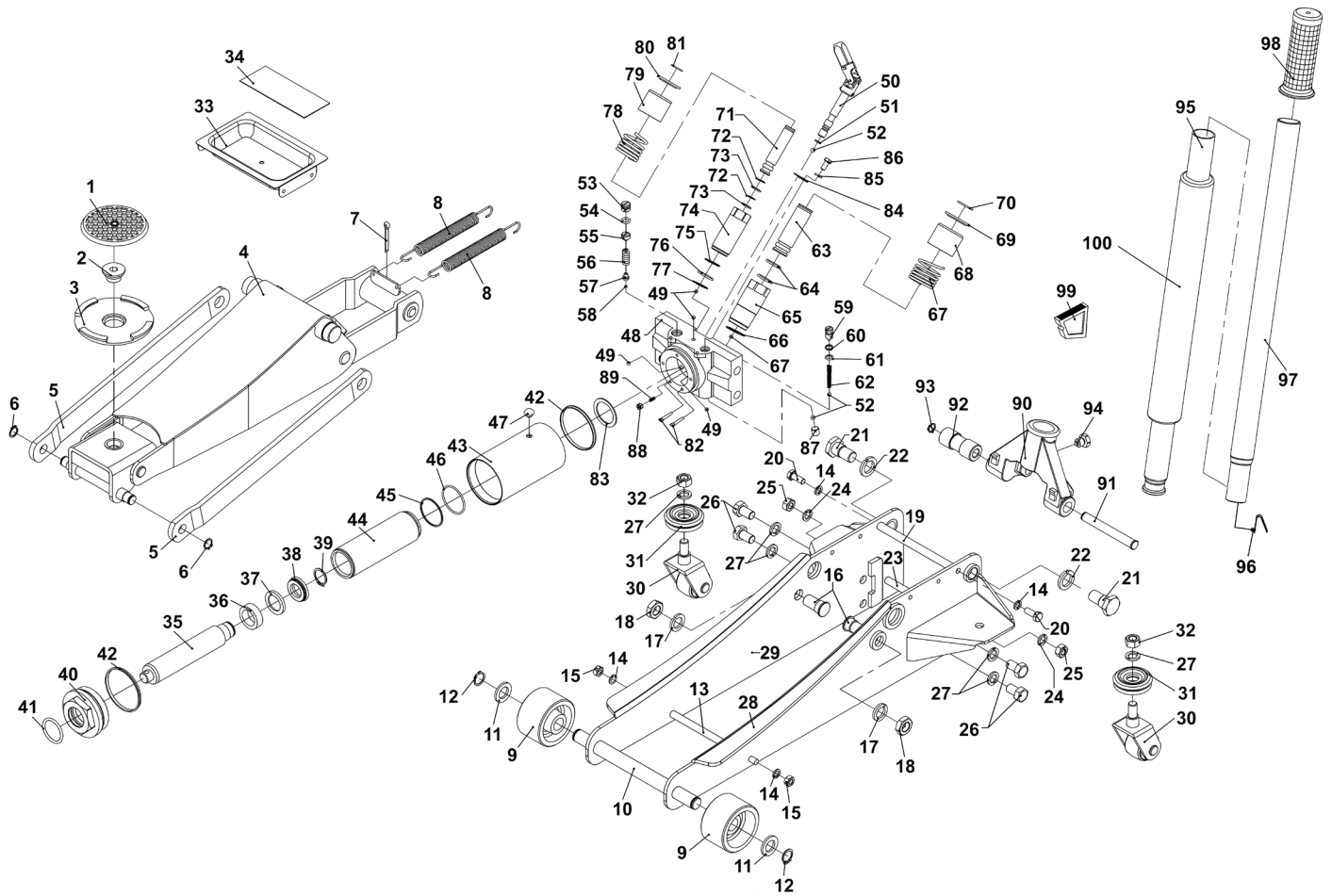




Parts Information:
**Trolley Jack 2.5tonne Low Entry with
 Rocket Lift
 Model No: 2501LE**



Item	Part No.	Description
1	2500LEV3-01	Saddle Pad
2	2500LEV3-02	Saddle Bolt
3	2500LEV3-03	Saddle
4	2500LEV3-04	Lift Arm Assembly
5	2500LEV3-05	Radius Link
6	2500LEV3-06	Ext Circlip 6mm ID.
7	2500LEV3-07	Cotter Pin
8	2500LEV3-08	Return Spring
9	2501LE.09	Front Wheel 'PU'
10	2500LEV3-10	Front Axle
11	FWM18.S	Flat Washer M18 Zinc
12	2500LEV3-12	Retaining Ring 18mm
13	2500LEV3-13	Frame Tie Rod
14	SWM8.S	Spring Washer M8 Zinc
15	SN8.S	Steel Nut M8 Zinc
16	2500LEV3-16	Radius Link Stud
17	SWM16.S	Spring Washer M16 Zinc
18	NLN16.S	Nyloc Nut M16 Zinc

Item	Part No.	Description
19	2500LEV3-19	Frame Tie Rod
20	SS820.S	Hex Head Set Screw M8 X 20 Zinc
21	2500LEV3-21	Handle Sleeve Bolt
22	SWM18.S	Spring Washer M18 Zinc
23	2500LEV3-23	Frame Tie Rod
24	SWM10.S	Spring Washer M10 Zinc
25	NLN10.S	Nyloc Nut M10 Zinc
26	SS1220.S	Hex Head Set Screw M12 X 20 Zinc
27	SWM12.S	Spring Washer M12 Zinc
28	2500LEV3-28	Frame, Left Side
29	2500LEV3-29	Frame, Right Side
30	2501LE.30	Rear Castor Assembly 'PU'
31	2500LEV3-31	Roller Bearing Assembly
32	SN12.S	Steel Nut M12 Zinc
33	2500LEV3-33	Tool Tray
34	2500LEV3-34	Rubber Pad (Magnetic)
35	2500LEV3-35	Ram Plunger
36	2500LEV3-36	Bushing Cover

NOTE: It is our policy to continually improve products and as such we reserve the right to alter data, specifications and component parts without prior notice. There may be alternative versions of this product, please contact us should you require this information.

IMPORTANT: No liability is accepted for incorrect use of product. Spare parts must be fitted by a competent person

WARRANTY: Guarantee is 12 months from purchase date, proof of which will be required for any claim.

Sealey Group, Kempson Way, Suffolk Business Park, Bury St Edmunds, Suffolk. IP32 7AR



01284 757500



01284 703534



sales@sealey.co.uk



www.sealey.co.uk



Parts Information:
**Trolley Jack 2.5tonne Low Entry with
Rocket Lift**
Model No: 2501LE

Item	Part No.	Description
37	2500LEV3-37	Back-up Washer
38	2500LEV3-38	U-Cup Seal
39	2500LEV3-39	Ext Circlip 22mm
40	2500LEV3-40	Top Nut
41	2500LEV3-41	O-Ring (Ø29.4 × Ø3.55)
42	2500LEV3-42	Wedge Ring
43	2500LEV3-43	Reservoir
44	2500LEV3-44	Cylinder
45	2500LEV3-45	Back-up Washer
46	2500LEV3-46	O-Ring (Ø39.5 × Ø2.4)
47	2500LEV3-47	Oil Filler Plug
48	2500LEV3-48	Base
49	SB-5.0	Steel Ball 5.0mm
50	2500LEV3-50	Release Valve Assembly
51	2500LEV3-51	O-Ring (Ø8 × 1.8)
52	SB-6.0	Steel Ball 6.0mm
53	2500LEV3-53	Guard Screw
54	2500LEV3-54	O-Ring (13x2.4)
55	2500LEV3-55	Safety Valve Screw
56	2500LEV3-56	Safety Valve Spring
57	2500LEV3-57	Ball Seat Valve
58	SB-4.0	Steel Ball 4.0mm
59	2500LEV3-59	Valve Screw (M10 x 1-16)
60	2500LEV3-60	Back-up Washer
61	2500LEV3-61	O-Ring (Ø7.7 × 1.9)
62	2500LEV3-62	Spring
63	2500LEV3-63	Pump Piston (B)
64	2500LEV3-64	O-Ring (Ø17.2 × 2.65)
65	2500LEV3-65	Pump (B)
66	2500LEV3-66	Copper Washer (Ø28 × Ø14 × t0.7)
67	2500LEV3-67	Pump Core Spring (B)
68	2500LEV3-68	Spring Sleeve (B)
69	2500LEV3-69	Spring Stop Plate (B)

Item	Part No.	Description
70	2500LEV3-70	Spring Stop Plate Ring (B)
71	2500LEV3-71	Pump Piston (A)
72	2500LEV3-72	Back-up Washer (for Pump 'A')
73	2500LEV3-73	O-Ring (Ø10.2 × 2.65)
74	2500LEV3-74	Pump 'A'
75	2500LEV3-75	Back-up Washer
76	2500LEV3-76	O-Ring (Ø21.5 × 2.4)
77	2500LEV3-77	Copper Washer
78	2500LEV3-78	Pump Core Spring (A)
79	2500LEV3-79	Spring Sleeve (A)
80	2500LEV3-80	Spring Stop Plate (A)
81	2500LEV3-81	Spring Stop Plate Ring (A)
82	2500LEV3-82	Filter
83	2500LEV3-83	Flat Washer (Ø43 x Ø27 x 1.5)
84	2500LEV3-84	Flat Washer (26 × 17 × t3)
85	SWM6.S	Spring Washer M6 Zinc
86	SS612.S	Hex Head Set Screw M6 X 12 Zinc
87	2500LEV3-87	Screw Cap
88	2500LEV3-88	Throttle Valve
89	2500LEV3-89	Spring
90	2500LEV3-90	Handle Socket
91	2500LEV3-91	Handle Socket Pin
92	2500LEV3-92	Handle Socket Roller
93	2500LEV3-93	Ext Circlip 12mm
94	2500LEV3-94	Handle Socket Bolt (M12 x 13)
95	2500LEV3-95	Lower Handle
96	2500LEV3-96	Handle Lock Button
97	2500LEV3-97	Upper Handle
98	2500LEV3-98	Handle Grip
99	2500LEV3-99	Handle Locking Block
100	2500LEV3-100	Handle Sleeve
--	2500LEV3-HU	Hydraulic Unit (not shown)
--	2500LEV3-RK	Repair Kit (not shown)

NOTE: It is our policy to continually improve products and as such we reserve the right to alter data, specifications and component parts without prior notice. There may be alternative versions of this product, please contact us should you require this information.

IMPORTANT: No liability is accepted for incorrect use of product. Spare parts must be fitted by a competent person

WARRANTY: Guarantee is 12 months from purchase date, proof of which will be required for any claim.

Sealey Group, Kempson Way, Suffolk Business Park, Bury St Edmunds, Suffolk. IP32 7AR



01284 757500



01284 703534



sales@sealey.co.uk



www.sealey.co.uk