

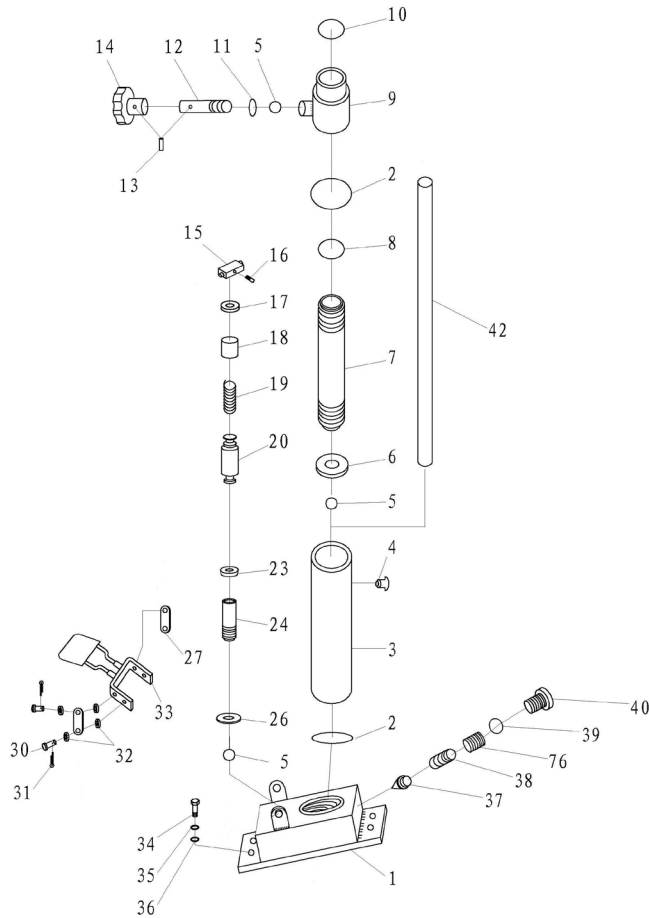
Item	Part No.	Description
32	FWM12.S	FLAT WASHER M12 SINGLE
35	SWM8.S	SPRING WASHER M8 ZINC (SINGLE)
43	GSM810.S	GRUB SCREW M8x10 (SINGLE)
44	DH03.V2-44	LIFTING ARM
45	DH03.V2-45	RETAINING RING
46	FWM12.S	FLAT WASHER M12 SINGLE
47	DH03.V2-47	BUSHING
48	DH03.V2-48	ROLLER
49	DH03.V2-51	PIN
50	DH03.V2-50	SPLIT PIN
51	DH03.V2-51	PIN
52	DH03.V2-52	HANDLE GRIP
53	DH03.V2-53	HANDLE
54	DH03.V2-54	POST
55	MSC510.S	CSK PHILLIPS MACHINE SCREW M5x10 (SINGLE)
56	DH03.V2-56	GUIDE PLATE
57	DH03.V2-57	FULCRUM ASS'Y
58	DH03.V2-58	PIN

Item	Part No.	Description
59	DH03.V2-59	SUPPORT FRAME
60	DH03.V2-60	BOLT
61	FWM10.S	FLAT WASHER M10 SINGLE
62	SWM10.S	SPRING WASHER M10 ZINC (SINGLE)
63	SN10.S	STEEL NUT M10 ZINC DIN934(SINGLE)
64	DH03.V2-64	BOLT
65	FWM12.S	FLAT WASHER M12 SINGLE
66	SN12.S	STEEL NUT M12 ZINC DIN934(SINGLE)
68	DH03.V2-68	SWIVEL CASTOR
69	DH03.V2-69	BASE FRAME
70	SCB1020.SB	SOCKET HEAD CAP SCREW M10x20 BLACK
71	DH03.V2-71	LEG
72	NLN8.S	NYLOC NUT M8 ZINC DIN 985 (SINGLE)
73	DH03.V2-73	WHEEL, FIXED (65x20x33)
74	DH03.V2-74	BUSHING
75	HHB860.S	HEX HEAD BOLT M8x60mm SINGLE
--	DH03.V2-KIT	GRIP WITH ROD & PIN (NOT SHOWN)
--	DH03.V2-H	HYDRAULIC UNIT (NOT SHOWN)

NOTE: It is our policy to continually improve products and as such we reserve the right to alter data, specifications and component parts without prior notice.

IMPORTANT: No liability is accepted for incorrect use of product.

WARRANTY: Guarantee is 12 months from purchase date, proof of which will be required for any claim.



Item	Part No.	Description
1	DH03.V2-01	BASE
2	DH03.V2-02	O-RING
3	DH03.V2-03	RESERVOIR
4	DH03.V2-04	OIL PLUG
5	SB-6.4	STEEL BALL 6.4mm
6	DH03.V2-06	THIN WASHER M22X33
7	DH03.V2-07	CYLINDER
8	DH03.V2-08	O-RING
9	DH03.V2-09	HEAD
10	DH03.V2-10	O-RING
11	DH03.V2-11	O-RING
12	DH03.V2-12	RELEASE VALVE SCREW
13	DH03.V2-13	SPRING PIN
14	DH03.V2-14	GRIP
15	DH03.V2-15	BLOCK
16	GSM68.S	GRUB SCREW M6x8 (SINGLE)
17	FWM16.SB	FLAT WASHER M16 BLACK (SINGLE)
18	DH03.V2-18	DUST PROTECTOR
19	DH03.V2-19	SPRING

Item	Part No.	Description
20	DH03.V2-20	PISTON
23	DH03.V2-23	X-RING SEAL
24	DH03.V2-24	PUMP HOUSING
26	DH03.V2-26	WASHER
27	DH03.V2-27	LINK
30	DH03.V2-30	PIN
31	DH03.V2-31	SPLIT PIN
32	FWM12.S	FLAT WASHER M12 SINGLE
33	DH03.V2-33	CONNECT FRAME (PEDAL)
34	SCB820.S	SOCKET CAP BOLT ZINC M8X20
35	SWM8.S	SPRING WASHER M8 ZINC (SINGLE)
36	FWM8.S	FLAT WASHER M8 SINGLE
37	DH03.V2-37	THREAD VALVE
38	DH03.V2-38	SPRING
39	DH03.V2-39	O-RING
40	DH03.V2-40	BOLT
42	DH03.V2-42	RAM
76	DH03.V2-76	ADJUSTMENT SCREW

NOTE: It is our policy to continually improve products and as such we reserve the right to alter data, specifications and component parts without prior notice.

IMPORTANT: No liability is accepted for incorrect use of product.

WARRANTY: Guarantee is 12 months from purchase date, proof of which will be required for any claim.