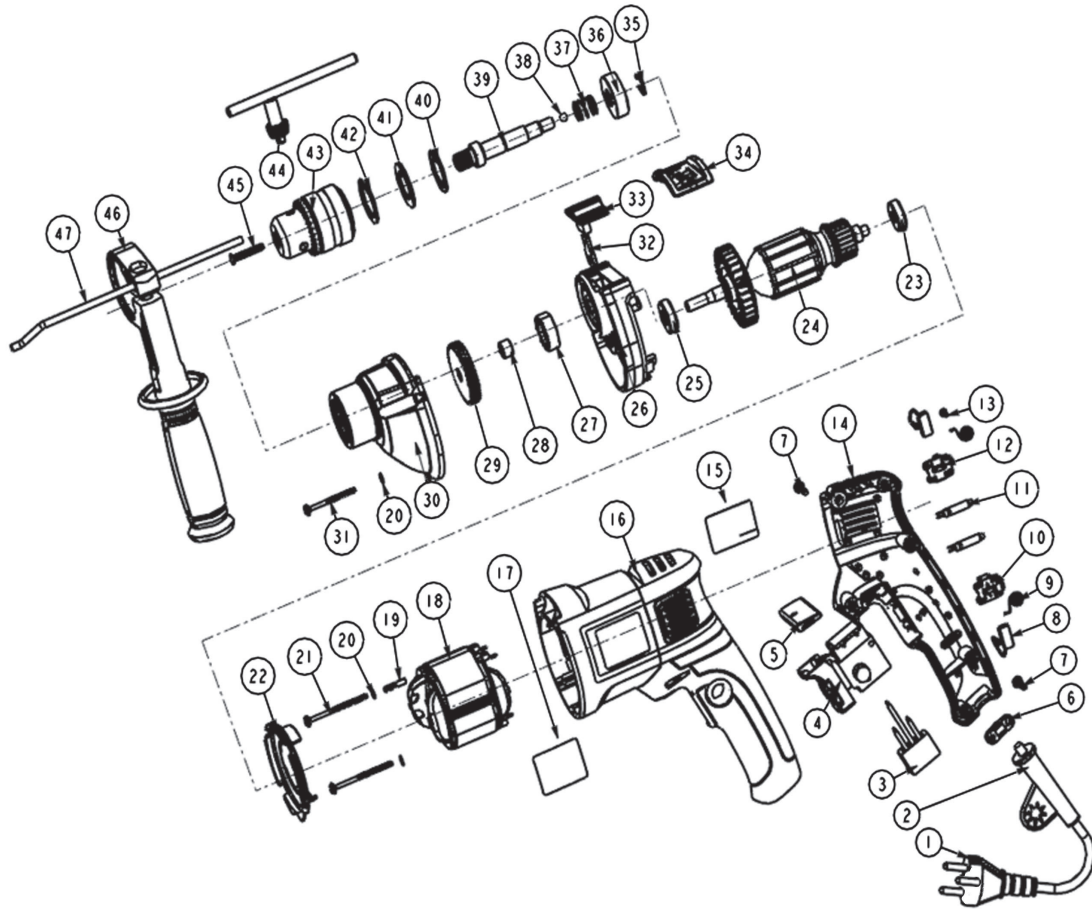




Parts Information:
**Hammer Drill 13mm Variable Speed with
 Reverse 850W/230V
 Model No: SD800.V3**



Item	Part No.	Description
1	SD1000.V3-01	CABLE
2	SD1000.V3-02	CABLE ARMOR
3	SD1000.V3-04	CAPACITOR
4	SD1000.V3-05	SWITCH
5	SD1000.V3-06	SWITCH LEVER
6	SD1000.V3-03	CABLE CLIP
7	SD1000.V3-07	TAPPING SCREW ST4x16
8	SD1000.V3-09	CARBON BRUSH
9	SD1000.V3-13	COIL SPRING
10	SD1000.V3-10	LOWER BRUSH HOLDER
11	SD1000.V3-11	INDUCTOR
12	SD1000.V3-12	UPPER BRUSH HOLDER
13	SD800.V3-13	TAPPING SCREW ST3 X 8
14	SD800.V3-14	RIGHT HANDLE
15	SD800.V3-15	LABEL, R/H SIDE
16	SD1000.V3-16	HOUSING
17	SD800.V3-17	LABEL, L/H SIDE
18	SD800.V3-18	STATOR
19	SD1000.V3-19	WAVEFORM BUCKLE
20	SD1000.V3-20	PLAIN WASHER dia 4
21	SD800.V3-21	TAPPING SCREW ST4 X 65
22	SD1000.V3-22	FAN GUIDE
23	B/627	BEARING 627
24	SD800.V3-24	ROTOR (165mm OVERALL LENGTH)

Item	Part No.	Description
25	B/609Z	BEARING 609Z
26	SD800.V3-26	SUPPORTER
27	SD800.V3-27	CALM IMPACT TOOTH
28	B/HK0810	NEEDLE BEARING HK0810
29	SD800.V3-29	GEAR
30	SD800.V3-30	GEAR BOX
31	SD800.V3-31	TAPPING SCREW ST4 X 45
32	SD1000.V3-46	SHIFTING BLOCK
33	SD800.V3-33	PUSH BUTTON
34	SD1000.V3-48	PUSH BUTTON SEAT
35	SD800.V3-35	CIRCLIP 12mm
36	B/6201	BEARING 6201
37	SD800.V3-37	SPRING
38	SB-5.0	STEEL BALL 5mm
39	SD800.V3-39	OUTPUT SPINDLE
40	SD800.V3-40	CIRCLIP 32mm
41	SD800.V3-41	SEAL RING
42	SD800.V3-42	CIRCLIP 34mm
43	SD1000.V3-58	CHUCK 1.5-13mm 1/2x20UNF
44	DC/J-38K-T	CHUCK KEY T-SHAPE
45	SD800.V3-45	CHUCK SCREW M5x25 (LH)
46	SD800.V3-46	SIDE HANDLE
47	SD1000.V3-62	SCALE

Sealey Group, Kempson Way, Suffolk Business Park, Bury St Edmunds, Suffolk. IP32 7AR



01284 757500



01284 703534



sales@sealey.co.uk



www.sealey.co.uk