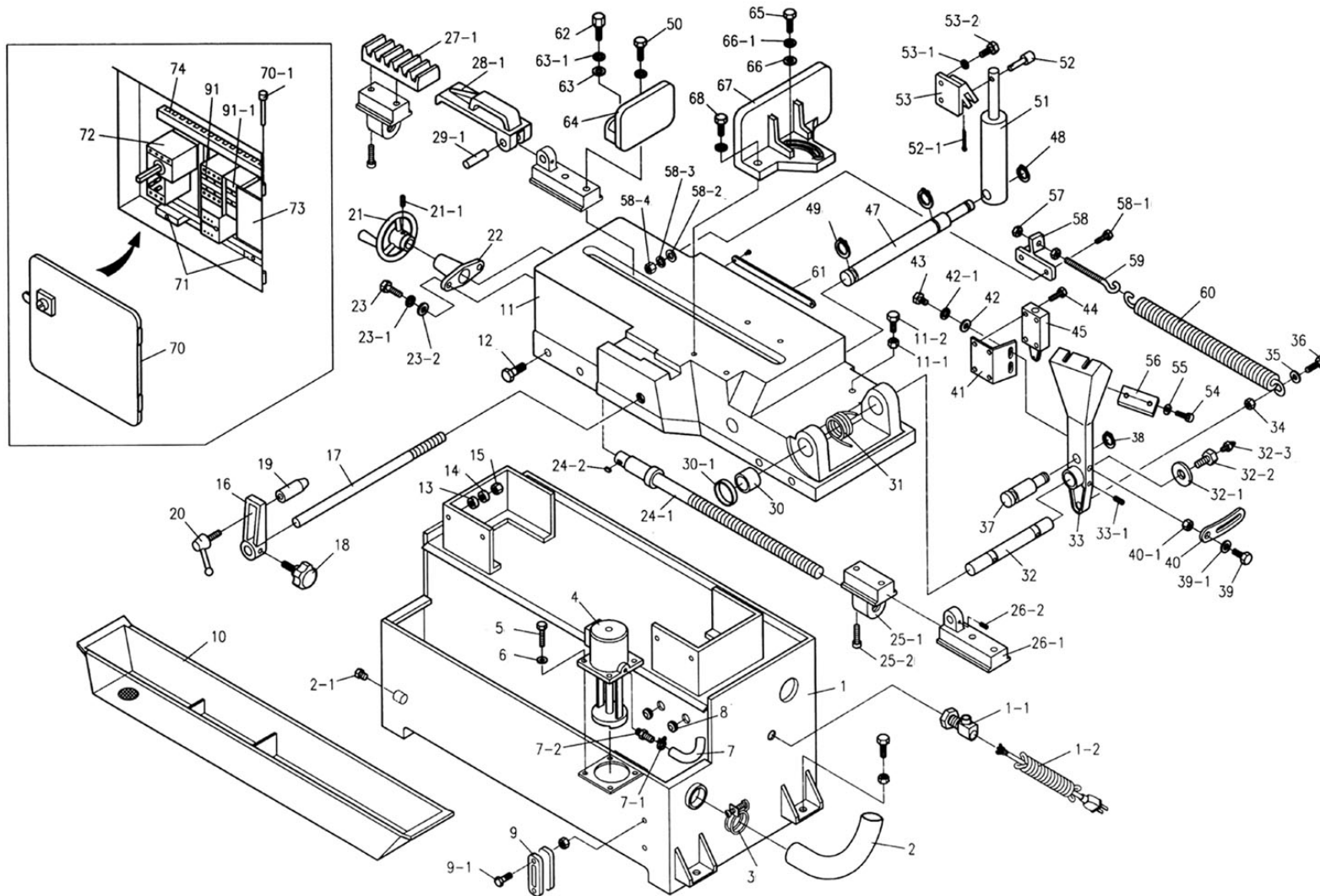




Parts Information:
Bandsaw 400mm Horizontal Hydraulic Arm
Model No: SM353CE.V2



NOTE: It is our policy to continually improve products and as such we reserve the right to alter data, specifications and component parts without prior notice.

IMPORTANT: No liability is accepted for incorrect use of product.

WARRANTY: Guarantee is 12 months from purchase date, proof of which will be required for any claim.

Sealey Group, Kempson Way, Suffolk Business Park, Bury St Edmunds, Suffolk. IP32 7AR



01284 757500



01284 703534



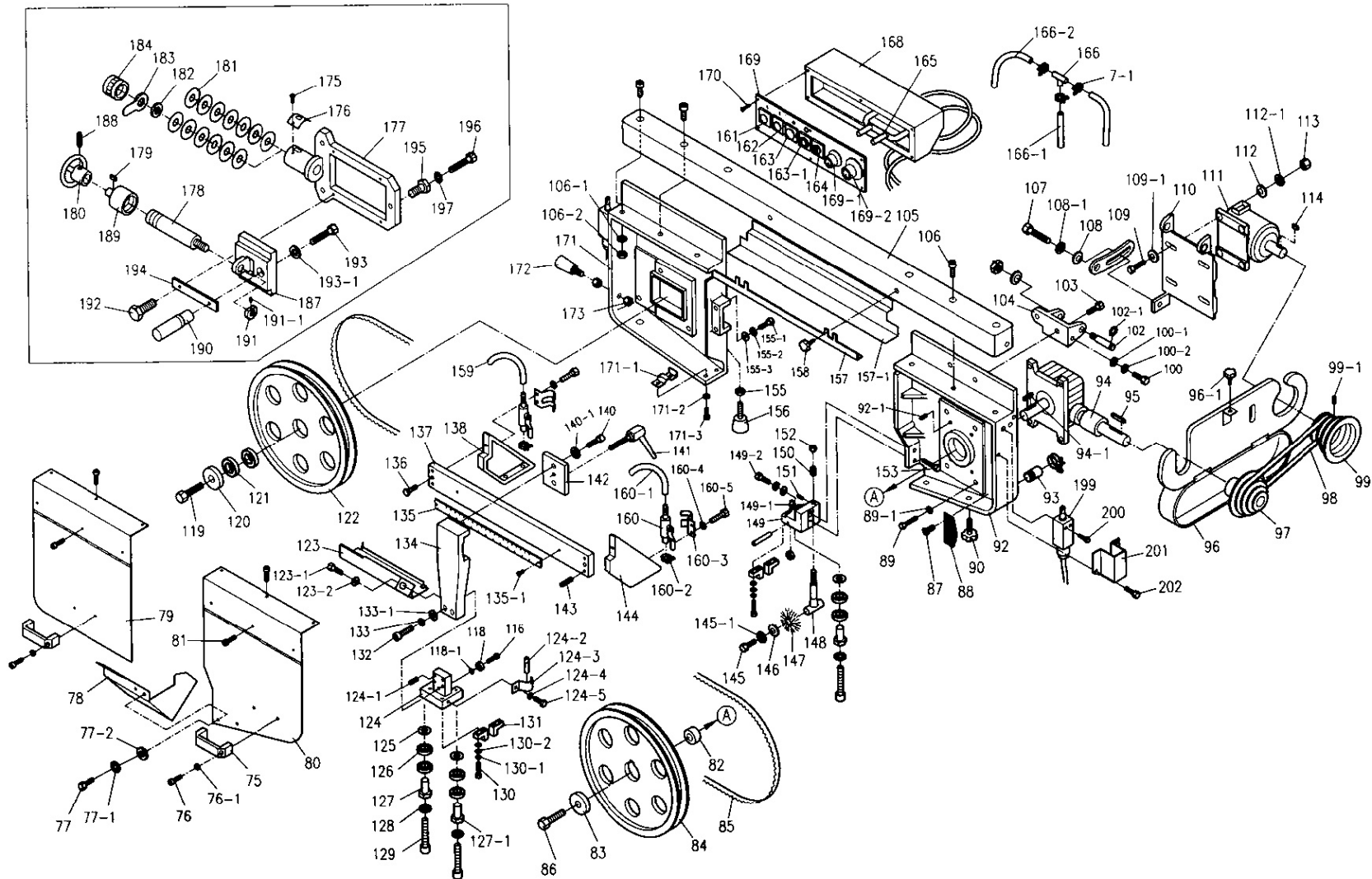
sales@sealey.co.uk



www.sealey.co.uk



Parts Information:
Bandsaw 400mm Horizontal Hydraulic Arm
Model No: SM353CE.V2



NOTE: It is our policy to continually improve products and as such we reserve the right to alter data, specifications and component parts without prior notice.

IMPORTANT: No liability is accepted for incorrect use of product.

WARRANTY: Guarantee is 12 months from purchase date, proof of which will be required for any claim.

Sealey Group, Kempson Way, Suffolk Business Park, Bury St Edmunds, Suffolk. IP32 7AR



01284 757500



01284 703534



sales@sealey.co.uk



www.sealey.co.uk



Parts Information:
Bandsaw 400mm Horizontal Hydraulic Arm
Model No: SM353CE.V2

| Item | Part No. | Description | Item | Part No. | Description |
|------|---------------|-----------------------------------|------|---------------|-----------------------------------|
| 1 | SM353CEV2.001 | BASE | 30 | SM353CEV2.030 | BEARING SLEEVE |
| 1-1 | SM353CEV2001A | STRAIN RELIEF FITTING | 30-1 | SM353CEV2030A | BUSHING |
| 1-2 | SM353CEV2001B | POWER CORD | 31 | SM353CEV2.031 | TORSION SPRING |
| -- | SM353CEV2001C | HEX CAP BOLT M12x65 (NOT SHOWN) | 32 | SM353CEV2.032 | PIVOT SHAFT |
| 2 | SM353CEV2.002 | HOSE 30mm x35mm x 520mm | 32-1 | SM353CEV2032A | WASHER |
| 2-1 | SM353CEV2002A | DRAIN PLUG 3/8"PT | 32-2 | SM353CEV2032B | HEX CAP SCREW M12x20 |
| 3 | SM353CEV2.003 | HOSE CLAMP 35mm | 32-3 | SM353CEV2032C | GREASE CUP 1/16" |
| 4 | SM353CEV2.004 | COOLANT PUMP | 33 | SM353CEV2.033 | PIVOT BRACKET |
| 5 | SM353CEV2.005 | ROUND HEAD SCREW M6x16 | 33-1 | SM353CEV2033A | SET SCREW M10x12 |
| 6 | SM353CEV2.006 | LOCK WASHER M6 | 34 | SN12.S | STEEL NUT M12 ZINC DIN934(SINGLE) |
| 7 | SM353CEV2.007 | HOSE 8mm x 1300mm | 35 | SM353CEV2.035 | WASHER M12 |
| 7-1 | SM353CEV2007A | HOSE CLAMP 14mm | 36 | SM353CEV2.036 | HEX CAP BOLT M12x40 |
| 7-2 | SM353CEV2007B | HOSE FITTING 3/8"PTx5/16"H | 37 | SM353CEV2.037 | TORSION SPRING SHAFT |
| 8 | SM353CEV2.008 | STRAIN RELIEF | 38 | SM353CEV2.038 | C-RING S-22 |
| 9 | SM353CEV2.009 | COOLANT GAUGE | 39 | SM353CEV2.039 | HEX CAP BOLT M8x30 |
| 9-1 | SM353CEV2009A | HEX CAP BOLT M10x30 | 39-1 | SM353CEV2039A | WASHER M8 |
| 10 | SM353CEV2.010 | CHIP TRAY | 40 | SM353CEV2.040 | MOTOR TILT PLATE |
| 11 | SM353CEV2.011 | BED | 40-1 | SN8.S | STEEL NUT M8 ZINC DIN934 (SINGLE) |
| 11-1 | SN10.S | STEEL NUT M10 ZINC DIN934(SINGLE) | 41 | SM353CEV2.041 | LIMIT SWITCH PLATE |
| 11-2 | SM353CEV2011B | BOLT M10X30 | 42 | SM353CEV2.042 | WASHER M8 |
| 12 | SM353CEV2.012 | HEX CAP BOLT M8x30 | 42-1 | SM353CEV2042A | LOCK WASHER M8 |
| 13 | SM353CEV2.013 | WASHER M8 | 43 | SM353CEV2.043 | HEX CAP BOLT M8x20 |
| 14 | SM353CEV2.014 | LOCK WASHER M8 | 44 | SM353CEV2.044 | HEX CAP BOLT M6x12 |
| 15 | SN8.S | STEEL NUT M8 ZINC DIN934 (SINGLE) | 45 | SM353CEV2.045 | LIMIT SWITCH |
| 16 | SM353CEV2.016 | WORK STOP BRACKET | 47 | SM353CEV2.047 | CYLINDER PIN |
| 17 | SM353CEV2.017 | WORK STOP ROD | 48 | SM353CEV2.048 | C-RING S-20 |
| 18 | SM353CEV2.018 | LOCK KNOB 3/8"x1 1/4" | 49 | SM353CEV2.049 | C-RING S-25 |
| 19 | SM353CEV2.019 | WORK STOP | 50 | SM353CEV2.050 | HEX CAP BOLT M12x40 |
| 20 | SM353CEV2.020 | LOCK HANDLE | 51 | SM353CEV2.051 | HYDRAULIC CYLINDER ASSEMBLY |
| 21 | SM353CEV2.021 | HAND WHEEL ASSEMBLY 5.5" | 52 | SM353CEV2.052 | CYLINDER PIN - TOP |
| 21-1 | SM353CEV2021A | SET SCREW 5/16"x3/8" | 52-1 | SM353CEV2052A | PIN |
| 22 | SM353CEV2.022 | LEAD SCREW SEAT | 53 | SM353CEV2.053 | HYDRAULIC MOUNTING PLATE - TOP |
| 23 | SM353CEV2.023 | HEX CAP BOLT 5/16"x3/8" | 53-1 | SM353CEV2053A | LOCK WASHER M10 |
| 23-1 | SM353CEV2023A | LOCK WASHER M8 | 53-2 | SM353CEV2053B | HEX CAP BOLT M10x30 |
| 23-2 | SM353CEV2023B | WASHER M8 | 54 | SM353CEV2.054 | HEX CAP BOLT M12x50 |
| 24-1 | SM353CEV2024A | LEAD SCREW, NEW TYPE, 665MM LONG | 55 | SM353CEV2.055 | WASHER M12 |
| 24-2 | SM353CEV2024B | KEY 5x20 | 56 | SM353CEV2.056 | LOCK PLATE |
| 25-1 | SM353CEV2025A | LEAD SCREW BRACKET | 57 | SM353CEV2.057 | NUT 1/2" |
| 25-2 | SM353CEV2025B | HEX SOCKET CAP SCREW M8x25 | 58 | SM353CEV2.058 | SPRING BRACKET |
| 26-1 | SM353CEV2026A | SLIDE BRACKET | 58-1 | SM353CEV2058A | HEX CAP BOLT M8x30 |
| 26-2 | SM353CEV2026B | SET SCREW M6x8 | 58-2 | SM353CEV2058B | WASHER M8 |
| 27-1 | SM353CEV2027A | RACK | 58-3 | SM353CEV2058C | LOCK WASHER M8 |
| 28-1 | SM353CEV2028A | RACK BLOCK | 58-4 | SN8.S | STEEL NUT M8 ZINC DIN934 (SINGLE) |
| 29-1 | SM353CEV2029A | PIN | 59 | SM353CEV2.059 | SPRING ADJUSTABLE ROD 1/2" |

NOTE: It is our policy to continually improve products and as such we reserve the right to alter data, specifications and component parts without prior notice.

IMPORTANT: No liability is accepted for incorrect use of product.

WARRANTY: Guarantee is 12 months from purchase date, proof of which will be required for any claim.

Sealey Group, Kempson Way, Suffolk Business Park, Bury St Edmunds, Suffolk. IP32 7AR



01284 757500



01284 703534



sales@sealey.co.uk



www.sealey.co.uk



Parts Information:
**Bandsaw 400mm Horizontal Hydraulic
 Arm**
Model No: SM353CE.V2

| Item | Part No. | Description |
|------|---------------|--|
| 60 | SM353CEV2.060 | SPRING |
| 61 | SM353CEV2.061 | ANGLE SCALE |
| -- | SM353CEV2061A | RIVET (NOT SHOWN) |
| 62 | SM353CEV2.062 | HEX HEAD BOLT M12x40 |
| 63 | SM353CEV2.063 | WASHER M12 THICK BLACK |
| 63-1 | SM353CEV2063A | LOCK WASHER M12 |
| 64 | SM353CEV2.064 | VICE JAW - LEFT |
| 65 | SS1250.SB | HEX HEAD SET SCREW M12x50mm SINGLE BLACK |
| 66 | SM353CEV2.066 | WASHER M12 |
| 66-1 | SM353CEV2066A | LOCK WASHER M12 |
| 67 | SM353CEV2.067 | VICE JAW - RIGHT |
| 68 | SS1240.S | HEX HEAD SET SCREW M12x40mm SINGLE |
| 70 | SM353CEV2.070 | ELECTRICAL PANEL COVER |
| 70-1 | SM353CEV2070A | PIN |
| 71 | SM353CEV2.071 | FUSE 5.8x2.5 fu03(3a), fu01(2a), fu2(2a) |
| 72 | SM353CEV2.072 | GENERAL SWITCH |
| 73 | SM353CEV2.073 | TRANSFORMER |
| 74 | SM353CEV2.074 | TERMINAL STRIP |
| 75 | SM353CEV2.075 | HANDLE |
| 76 | SM353CEV2.076 | ROUND HEAD SCREW M6X12 |
| 76-1 | SM353CEV2076A | WASHER M6 |
| 77 | SM353CEV2.077 | HEX CAP BOLT M6X10 |
| 77-1 | SM353CEV2077A | LOCK WASHER M6 |
| 77-2 | SM353CEV2077B | WASHER M6 |
| 78 | SM353CEV2.078 | WIRE BRUSH GUARD |
| 79 | SM353CEV2.079 | BLADE WHEEL COVER - LEFT |
| 80 | SM353CEV2.080 | BLADE WHEEL COVER - RIGHT |
| 81 | SM353CEV2.081 | HEX SOCKET CAP SCREW M6X8 |
| 82 | SM353CEV2.082 | BUSHING |
| 83 | SM353CEV2.083 | WASHER |
| 84 | SM353CEV2.084 | DRIVE WHEEL |
| 85 | SM353CEV2.085 | BLADE 3035MM |
| 86 | SM353CEV2.086 | HEX CAP BOLT M12X20 |
| 87 | SM353CEV2.087 | ROUND HEAD SCREW M5X10 |
| 88 | SM353CEV2.088 | FILTER SCREEN |
| 89 | SM353CEV2.089 | HEX CAP BOLT M12X35 |
| 89-1 | SM353CEV2089A | LOCK WASHER M12 |
| 90 | SM353CEV2.090 | LOCK KNOB 1/4"X10 |
| 91 | SM353CEV2.091 | OVERLOAD SWITCH |
| 91-1 | SM353CEV2091A | MAGNETIC SWITCH |
| 92 | SM353CEV2.092 | BLADE WHEEL BOX - RIGHT |
| 92-1 | SM353CEV2092A | SET SCREW M10X12 |
| 93 | SM353CEV2.093 | CONNECTOR |

| Item | Part No. | Description |
|-------|---------------|---------------------------------------|
| 94 | SM353CEV2.094 | GEAR BOX ASSEMBLY |
| 94-1 | SM353CEV2094A | KEY 7MM |
| 95 | SM353CEV2.095 | KEY 7MM |
| 96 | SM353CEV2.096 | PULLEY COVER |
| 96-1 | SM353CEV2096A | LOCK KNOB 1/4" |
| 97 | SM353CEV2.097 | GEAR BOX PULLEY |
| 98 | V/A39 | V-BELT (ID-1000) A39 |
| 99 | SM353CEV2.099 | MOTOR PULLEY |
| 99-1 | SM353CEV2099A | SET SCREW M8X10 |
| 100 | SM353CEV2.100 | HEX CAP BOLT M8X16 |
| 100-1 | SM353CEV2100A | WASHER M8 |
| 100-2 | SM353CEV2100B | LOCK WASHER M8 |
| 102 | SM353CEV2.102 | SUPPORT SHAFT |
| 102-1 | SM353CEV2102A | C-RING S-19 |
| 103 | SM353CEV2.103 | HEX CAP BOLT M12X35 |
| 104 | SM353CEV2.104 | MOTOR MOUNT BRACKET |
| -- | SM353CEV2104B | NUT 1/2" (NOT SHOWN) |
| 105 | SM353CEV2.105 | COLUMN |
| 106 | SM353CEV2.106 | HEX. SOCKET CAP SCREW M12X20 |
| 106-1 | SM353CEV2106A | LOCK WASHER M12 |
| 106-2 | SM353CEV2106B | NUT M12 |
| 107 | SM353CEV2.107 | HEX. CAP BOLT M8X25 |
| 108 | SM353CEV2.108 | WASHER M8 |
| 108-1 | SM353CEV2108A | LOCK WASHER M8 |
| 109 | SM353CEV2.109 | HEX. CAP BOLT M8X45 |
| 109-1 | SM353CEV2109A | WASHER M8 |
| 110 | SM353CEV2.110 | MOTOR MOUNT PLATE |
| 111 | SM353CEV2.111 | MOTOR INCLUDES PART:SM353CEV2.114 KEY |
| 112 | SM353CEV2.112 | WASHER M8 |
| 112-1 | SM353CEV2112A | LOCK WASHER M8 |
| 113 | SN8.S | STEEL NUT M8 ZINC DIN934 (SINGLE) |
| 114 | SM353CEV2.114 | KEY 7MM |
| 116 | SM353CEV2.116 | HEX. SOCKET CAP SCREW M8X20 |
| 118 | B/608ZZ | BEARING 608ZZ |
| 118-1 | SM353CEV2118A | LOCK WASHER M8 |
| 119 | SM353CEV2.119 | HEX. CAP BOLT M12X35 |
| 120 | SM353CEV2.120 | WASHER M12 |
| 121 | B/6205Z | BEARING 6205Z |
| 122 | SM353CEV2.122 | IDLER WHEEL |
| 123 | SM353CEV2.123 | BLADE GUARD |
| 123-1 | SM353CEV2123A | HEX. CAP BOLT M8X16 |
| 123-2 | SM353CEV2123B | WASHER M8 |
| 124 | SM353CEV2.124 | GUIDE BRACKET-LEFT |

NOTE: It is our policy to continually improve products and as such we reserve the right to alter data, specifications and component parts without prior notice.

IMPORTANT: No liability is accepted for incorrect use of product.

WARRANTY: Guarantee is 12 months from purchase date, proof of which will be required for any claim.

Sealey Group, Kempson Way, Suffolk Business Park, Bury St Edmunds, Suffolk. IP32 7AR



01284 757500



01284 703534



sales@sealey.co.uk



www.sealey.co.uk



Parts Information:
**Bandsaw 400mm Horizontal Hydraulic
 Arm**
Model No: SM353CE.V2

| Item | Part No. | Description | Item | Part No. | Description |
|-------|---------------|-----------------------------------|-------|---------------|-----------------------------------|
| 124-1 | GSM816.S | GRUB SCREW M8x16 (SINGLE) | 155-1 | SM353CEV2155A | HEX. CAP BOLT M12x30 |
| 124-2 | SM353CEV2124B | NOZZLE | 155-2 | SM353CEV2155B | LOCK WASHER M12 |
| 124-3 | SM353CEV2124C | NOZZLE SUPPORT | 155-3 | SM353CEV2155C | WASHER M12 |
| 124-4 | SM353CEV2124D | LOCK WASHER M6 | 156 | SM353CEV2.156 | STAND BOLT M12x50 |
| 124-5 | SM353CEV2124E | HEX. CAP BOLT M6x12 | 157 | SM353CEV2.157 | BLADE GUARD |
| 125 | SM353CEV2.125 | WASHER M8x25 | 157-1 | SM353CEV2157A | BLADE GUARD-DOWN |
| 126 | B/6201ZZ | BEARING 6201ZZ | 158 | SM353CEV2.158 | LOCK KNOB 1/4x10 |
| 127 | SM353CEV2.127 | CENTRIC SLEEVE | 159 | SM353CEV2.159 | HOSE 6mm x 8.5mm x 700mm |
| 127-1 | SM353CEV2127A | ECCENTRIC SLEEVE | 160 | SM353CEV2.160 | ADJUSTING VALVE |
| 128 | SM353CEV2.128 | LOCK WASHER M8 | 160-1 | SM353CEV2160A | HOSE 11mm x 13mm x 350mm |
| 129 | SCB845.SB | SOCKET HEAD CAP SCREW M8x45 BLACK | 160-2 | SM353CEV2160B | HOSE CLAMP 14mm |
| 130 | SM353CEV2.130 | HEX. SOCKET CAP SCREW M6x30 | 160-3 | SM353CEV2160C | BRACE |
| 130-1 | SM353CEV2130A | LOCK WASHER | 160-4 | SM353CEV2160D | LOCK WASHER M6 |
| 130-2 | SM353CEV2130B | WASHER | 160-5 | SM353CEV2160E | HEX. CAP BOLT M6x12 |
| 131 | SM353CEV2.131 | TUNGSTEN CARBIDE BLADE GUIDE | 161 | SM353CEV2.161 | POWER INDICATOR LIGHT, 30V |
| 132 | SM353CEV2.132 | HEX. CAP BOLT M8x40 | 162 | SM353CEV2.162 | START SWITCH |
| 133 | SM353CEV2.133 | LOCK WASHER M8 | 163 | SM353CEV2.163 | STOP SWITCH |
| 133-1 | SM353CEV2133A | WASHER M8 | 163-1 | SM353CEV2163A | EMERGENCY STOP SWITCH |
| 134 | SM353CEV2.134 | ADJUSTABLE BRACKET | 164 | SM353CEV2.164 | PUMP SWITCH |
| 135 | SM353CEV2.135 | SCALE | 165 | SM353CEV2.165 | SPEED CONTROL VALVE |
| 135-1 | SM353CEV2135A | ROUND HEAD SCREW | 166 | SM353CEV2.166 | CONNECTION TUBE |
| 136 | SM353CEV2.136 | HEX. SOCKET CAP SCREW M10x25 | 166-1 | SM353CEV2166A | HOSE 11mm x 14mm x 400mm |
| 137 | SM353CEV2.137 | SLIDE | 166-2 | SM353CEV2166B | HOSE 11mm x 14mm x 950mm |
| -- | SM353CEV2137A | SLIDE (c/w SCALE) (NOT SHOWN) | 168 | SM353CEV2.168 | CONTROL BOX |
| 138 | SM353CEV2.138 | BLADE BRACKET-LEFT | 169 | SM353CEV2.169 | CONTROL PANEL |
| 140 | SM353CEV2.140 | HEX. CAP BOLT M8x25 | 169-1 | SM353CEV2169A | OIL REGULATING MICRO SWITCH |
| 140-1 | SM353CEV2140A | LOCK WASHER M8 | 169-2 | SM353CEV2169A | OIL REGULATING MICRO SWITCH |
| 141 | SM353CEV2.141 | LOCK HANDLE 3/8x30 | 170 | SM353CEV2.170 | ROUND HEAD SCREW M5x8 |
| 142 | SM353CEV2.142 | STATIONARY PLATE | 171 | SM353CEV2.171 | WHEEL BOX-LEFT |
| 143 | SM353CEV2.143 | SET SCREW M8x10 | 171-1 | SM353CEV2171A | LOCK PLATE |
| 144 | SM353CEV2.144 | BLADE BRACKET-RIGHT | 171-2 | SM353CEV2171B | WASHER M6 |
| 145 | SM353CEV2.145 | HEX. CAP BOLT M6x12 | 171-3 | SM353CEV2171C | HEX. CAP BOLT M6x16 |
| 145-1 | SM353CEV2145A | LOCK WASHER M6 | 172 | SM353CEV2.172 | HANDLE M12 |
| 146 | SM353CEV2.146 | WASHER M6 | 173 | SN12.S | STEEL NUT M12 ZINC DIN934(SINGLE) |
| 147 | SM353CEV2.147 | WIRE BRUSH | 175 | SM353CEV2.175 | ROUND HEAD SCREW M5x10 |
| 148 | SM353CEV2.148 | WIRE BRUSH ROD | 176 | SM353CEV2.176 | INDICATOR SCALE |
| 149 | SM353CEV2.149 | GUIDE BRACKET-RIGHT | 177 | SM353CEV2.177 | SLIDE BRACKET |
| 149-1 | SM353CEV2149A | NOZZLE | 178 | SM353CEV2.178 | TENSION SHAFT |
| 149-2 | SCB850.SB | SOCKET HEAD CAP SCREW M8x50 BLACK | 179 | SM353CEV2.179 | KEY 5x15 |
| 150 | SM353CEV2.150 | SPRING | 180 | SM353CEV2.180 | HANDWHEEL |
| 151 | SM353CEV2.151 | SET SCREW M6x8 | 181 | SM353CEV2.181 | DISC SPRING |
| 152 | SN10.S | STEEL NUT M10 ZINC DIN934(SINGLE) | 182 | SM353CEV2.182 | FLAT WASHER |
| 153 | SM353CEV2.153 | HEX. SOCKET CAP SCREW M8x45 | 183 | SM353CEV2.183 | TENSION INDICATOR |
| 155 | SN12.S | STEEL NUT M12 ZINC DIN934(SINGLE) | 184 | B/51104 | BEARING RACE 51104 |

NOTE: It is our policy to continually improve products and as such we reserve the right to alter data, specifications and component parts without prior notice.

IMPORTANT: No liability is accepted for incorrect use of product.

WARRANTY: Guarantee is 12 months from purchase date, proof of which will be required for any claim.

Sealey Group, Kempson Way, Suffolk Business Park, Bury St Edmunds, Suffolk. IP32 7AR



01284 757500



01284 703534



sales@sealey.co.uk



www.sealey.co.uk



Parts Information:
**Bandsaw 400mm Horizontal Hydraulic
Arm**
Model No: SM353CE.V2

| Item | Part No. | Description |
|-------|----------------|-----------------------------------|
| 187 | SM353CEV2.187 | SLIDE |
| 188 | SM353CEV2.188 | SET SCREW 5/16"x3/8" |
| 189 | SM353CEV2.189 | EXTENSION BAR |
| 190 | SM353CEV2.190 | BLADE WHEEL SHAFT |
| 191 | SN16.S | STEEL NUT M16 ZINC DIN934(SINGLE) |
| 191-1 | SM353CEV2.191A | SET SCREW M6x8 |
| 192 | SM353CEV2.192 | HEX. SOCKET CAP SCREW M8x20 |
| 193 | SM353CEV2.193 | HEX. SOCKET CAP SCREW M12x20 |
| 193-1 | SM353CEV2.193A | WASHER |

| Item | Part No. | Description |
|------|---------------|-----------------------------|
| 194 | SM353CEV2.194 | GIB |
| 195 | SM353CEV2.195 | HEX. CAP BOLT M16x30 |
| 196 | SM353CEV2.196 | HEX. CAP BOLT M10x60 |
| 197 | SM353CEV2.197 | LOCK WASHER M10 |
| 199 | SM353CEV2.199 | LIMIT SWITCH AC500V (5Amps) |
| 200 | SM353CEV2.200 | ROUND HEAD SCREW 5/32"x32 |
| 201 | SM353CEV2.201 | LIMIT SWITCH GUARD |
| 202 | SM353CEV2.202 | ROUND HEAD SCREW M5x8 |

NOTE: It is our policy to continually improve products and as such we reserve the right to alter data, specifications and component parts without prior notice.

IMPORTANT: No liability is accepted for incorrect use of product.

WARRANTY: Guarantee is 12 months from purchase date, proof of which will be required for any claim.

Sealey Group, Kempson Way, Suffolk Business Park, Bury St Edmunds, Suffolk. IP32 7AR



01284 757500



01284 703534



sales@sealey.co.uk



www.sealey.co.uk