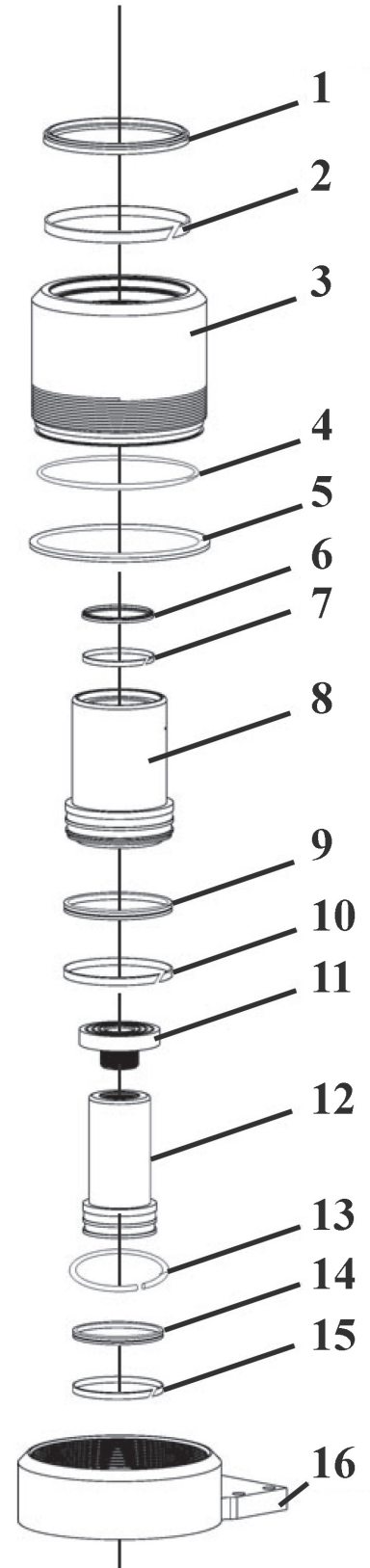


## Oil Cylinder Assembly

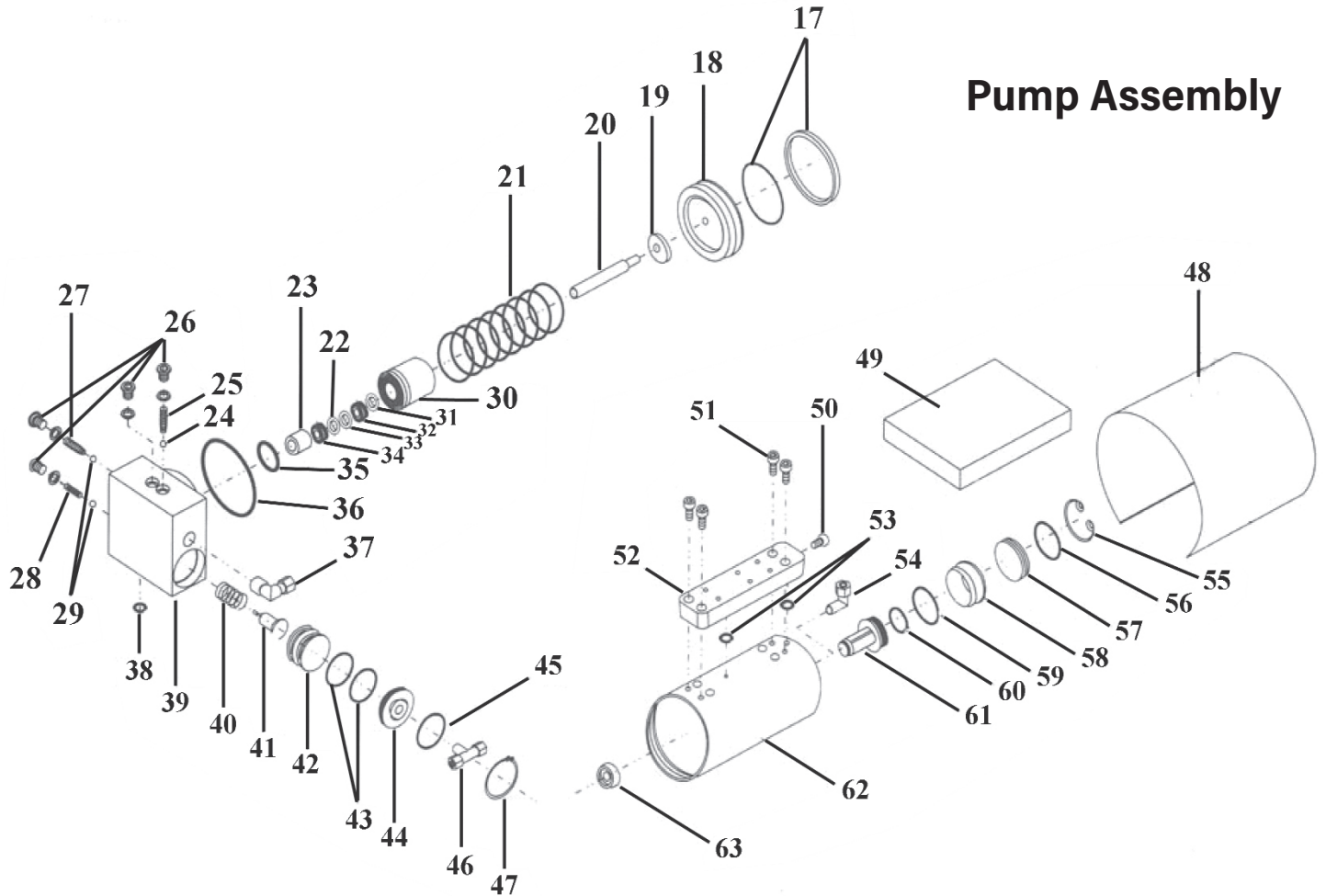
Item	Part No.	Description
1	YAJ15-30LE.01	DUSTPROOF RING
2	YAJ15-30LE.02	GUIDE RING
3	YAJ15-30LE.03	OUTER SLEEVE
4	YAJ15-30LE.04	O-RING
5	YAJ15-30LE.05	LOCKING RING
6	YAJ15-30LE.06	DUSTPROOF RING
7	YAJ15-30LE.07	GUIDE RING
8	YAJ15-30LE.08	INNER SLEEVE
9	YAJ15-30LE.09	SEAL RING
10	YAJ15-30LE.10	GUIDE RING
11	YAJ15-30LE.11	TOP COVER
12	YAJ15-30LE.12	PISTON
13	YAJ15-30LE.13	SPRING WASHER
14	YAJ15-30LE.14	SEAL RING
15	YAJ15-30LE.15	GUIDE RING
16	YAJ15-30LE.16	BASE



**NOTE:** It is our policy to continually improve products and as such we reserve the right to alter data, specifications and component parts without prior notice.

**IMPORTANT:** No liability is accepted for incorrect use of product.

**WARRANTY:** Guarantee is 12 months from purchase date, proof of which will be required for any claim.



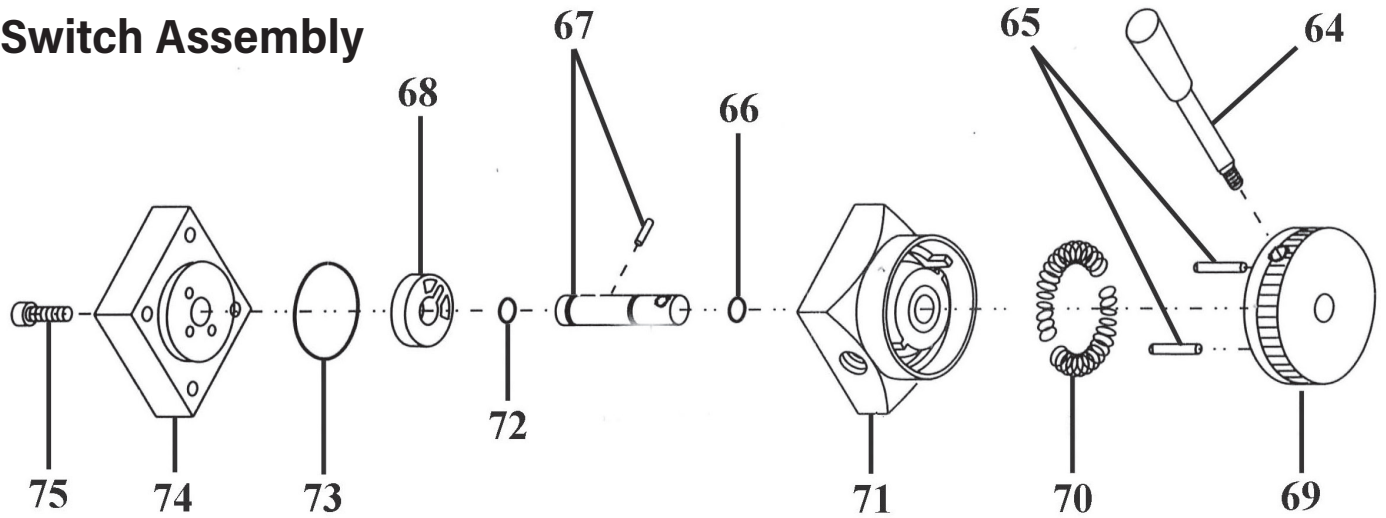
## Pump Assembly

Item	Part No.	Description
17	YAJ15-30LE.17	PISTON ASS'Y
18	YAJ15-30LE.18	PISTON
19	YAJ15-30LE.19	SPACER
20	YAJ15-30LE.20	PLUNGER ROD
21	YAJ15-30LE.21	SPRING
22	YAJ15-30LE.22	SPACER
23	YAJ15-30LE.23	GUIDE BUSHING
24	YAJ15-30LE.24	STEEL BALL
25	YAJ15-30LE.25	SPRING
26	YAJ15-30LE.26	SCREW
27	YAJ15-30LE.27	SPRING
28	YAJ15-30LE.28	SPRING
29	YAJ15-30LE.29	STEEL BALL
30	YAJ15-30LE.30	OIL PUMP
31	YAJ15-30LE.31	LOCK RING
32	YAJ15-30LE.32	SEAL

Item	Part No.	Description
33	YAJ15-30LE.33	SPACER
34	YAJ15-30LE.34	SEAL
35	YAJ15-30LE.35	O-RING
36	YAJ15-30LE.36	O-RING
37	YAJ15-30LE.37	ELBOW
38	YAJ15-30LE.38	O-RING
39	YAJ15-30LE.39	PUMP BLOCK
40	YAJ15-30LE.40	SPRING
41	YAJ15-30LE.41	OIL DRAIN BOLT
42	YAJ15-30LE.42	OIL DRAIN PISTON
43	YAJ15-30LE.43	O-RING
44	YAJ15-30LE.44	END COVER
45	YAJ15-30LE.45	O-RING
46	YAJ15-30LE.46	T-PIECE
47	YAJ15-30LE.47	RETAINING RING
48	YAJ15-30LE.48	PROTECTING COVER

Item	Part No.	Description
49	YAJ15-30LE.49	FOAM PAD
50	YAJ15-30LE.50	SCREW
51	YAJ15-30LE.51	SCREW
52	YAJ15-30LE.52	PROTECTING COVER
53	YAJ15-30LE.53	O-RING
54	YAJ15-30LE.54	ELBOW
55	YAJ15-30LE.55	RETAINING RING
56	YAJ15-30LE.56	O-RING
57	YAJ15-30LE.57	END COVER
58	YAJ15-30LE.58	INNER SLEEVE
59	YAJ15-30LE.59	O-RING
60	YAJ15-30LE.60	O-RING
61	YAJ15-30LE.61	PISTON
62	YAJ15-30LE.62	AIR CYLINDER
63	YAJ15-30LE.63	RUBBER CAP

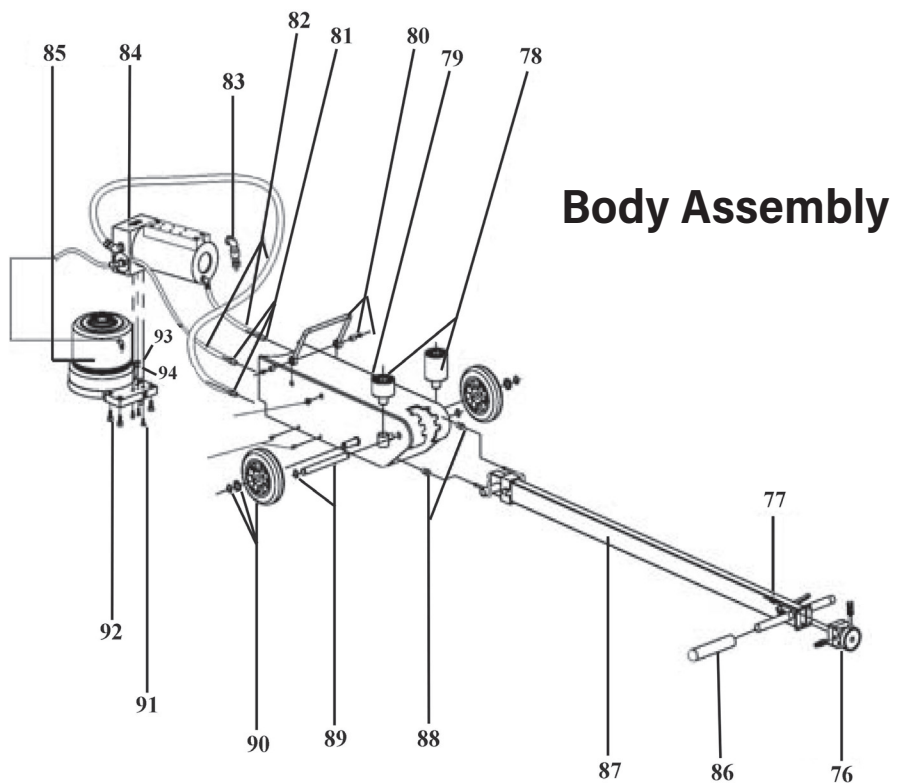
## Switch Assembly



Item	Part No.	Description
64	YAJ15-30LE.64	HANDLE
65	YAJ15-30LE.65	STRAIGHT PIN
66	YAJ15-30LE.66	O-RING
67	YAJ15-30LE.67	SPINDLE (c/w PIN)
68	YAJ15-30LE.68	VALVE BASE
69	YAJ15-30LE.69	SWITCH CAP

Item	Part No.	Description
70	YAJ15-30LE.70	SPRING
71	YAJ15-30LE.71	VALVE BODY
72	YAJ15-30LE.72	O-RING
73	YAJ15-30LE.73	O-RING
74	YAJ15-30LE.74	VALVE BASE
75	YAJ15-30LE.75	SCREW

Item	Part No.	Description
76	YAJ15-30LE.76	SWITCH SET
77	YAJ15-30LE.77	SCREW
78	YAJ20-40DC.99	ADAPTORS
79	YAJ15-30LE.79	TANK BODY
80	YAJ15-30LE.80	LIFTING HANDLE SET
81	YAJ15-30LE.81	HOSE ADAPTOR
82	YAJ15-30LE.82	AIR PIPE & OIL HOSE
83	YAJ15-30LE.83	ELBOW
84	YAJ15-30LE.84	PUMP ASS'Y
85	YAJ15-30LE.85	OIL CYLINDER ASS'Y
86	YAJ15-30LE.86	HANDLE GRIP
87	YAJ1530FSP009	HANDLE
88	YAJ15-30LE.88	SCREW
89	YAJ15-30LE.89	WHEEL AXLE
90	YAJ15-30LE.90	WHEEL (c/w FIXING)
91	YAJ15-30LE.91	SCREW
92	YAJ15-30LE.92	SCREW
93	YAJ15-30LE.93	O-RING
94	YAJ15-30LE.94	LOCK RING



## Body Assembly

**NOTE:** It is our policy to continually improve products and as such we reserve the right to alter data, specifications and component parts without prior notice.

**IMPORTANT:** No liability is accepted for incorrect use of product.

**WARRANTY:** Guarantee is 12 months from purchase date, proof of which will be required for any claim.